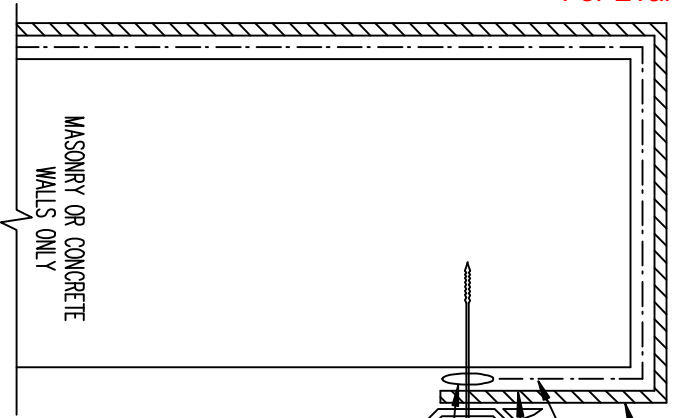
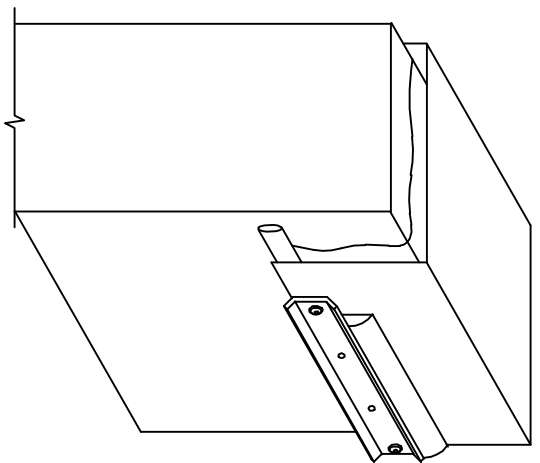


MASONRY AND CONCRETE WALLS MUST BE WATERPROOFED AND MAINTAINED IN ORDER FOR ANY SURFACE MOUNTED TERMINATION TO BE EFFECTIVE.



- FIRESTONE PONDGARD
- BONDING ADHESIVE OR SPICE ADHESIVE
- FIRESTONE LAP SEALANT - REQUIRES MAINTENANCE TO MAINTAIN A WATERTIGHT SEAL TO WALL.
- CONTINUOUS WATER BLOCK (APPLIED AT THE RATE OF 10 (3048 mm) LINEAR FEET PER TUBE)
- FIRESTONE TERMINATION BAR ANCHORED WITH FIRESTONE FASTENERS 1/2" (304.8 mm) O.C. MAX.



NOTES

1. KEEP EACH LENGTH OF TERMINATION BAR SEPARATED FROM ADJOINING BAR BY 1/4" (6.4 mm).
2. TERMINATION BAR MUST BE INSTALLED DIRECTLY TO WALL SURFACE, NOT TO EXISTING SHEET METAL, FLASHING ETC.
3. INSTALL TERMINATION BAR VERTICALLY WHERE BASE FLASHING ENDS AND APPLY LAP SEALANT TO ALL SIDES OF THE BAR.
4. AT INSIDE AND OUTSIDE CORNERS, TERMINATION BAR MUST BE CUT. DO NOT BEND AROUND CORNERS.
5. TERMINATION BAR MUST BE FASTENED 1" (25.4 mm) MAX. IN FROM END OF ALL SECTIONS.